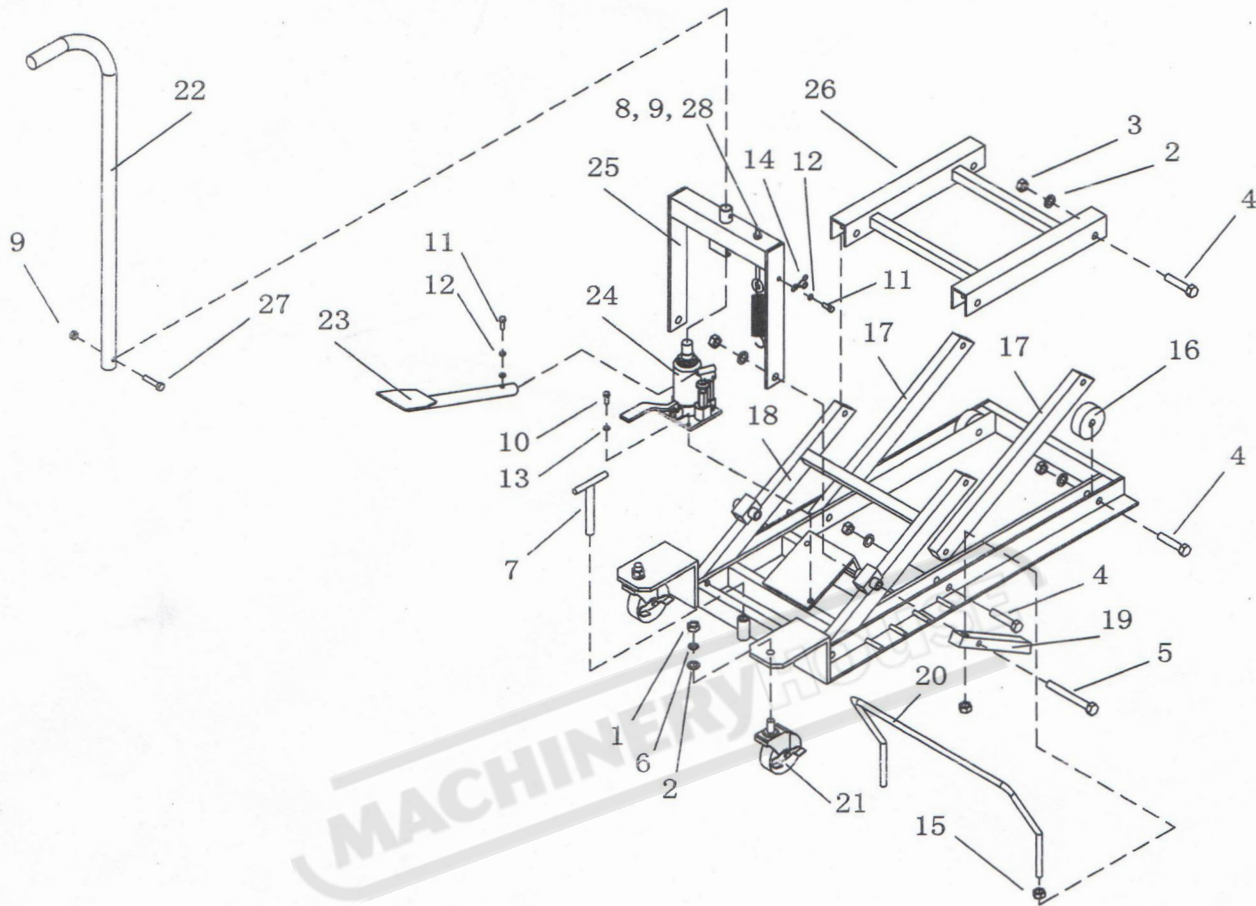


Motorcycle Lift



PARTS NEEDED		
PART	DESCRIPTION	QTY
1	Nut M12	2
2	Ø12 Washer	14
3	Nut M12	12
4	Bolt M12x55	10
5	Bolt M12x100	2
6	Ø12 Spring Washer	2
7	Bolt M12	1
8	Bolt M8	1
9	Nut M8	8
10	Bolt M8x16	2
11	Bolt M6x16	2
12	Ø6 Washer	2
13	Ø8 Washer	2
14	Pin	1

PARTS NEEDED		
PART	DESCRIPTION	QTY
15	Nut M10	4
16	Wheel	2
17	Lifting arm (1)	2
18	Lifting arm (2)	1
19	Locking Bar	2
20	Bolt M10	1
21	Caster	2
22	handle	1
23	Lift foot plate	1
24	Hydraulic Pumpe	1
25	Hydraulic Pumpe stand	1
26	Table facet	1
27	Bolt M8x35	1
28	Spring	1